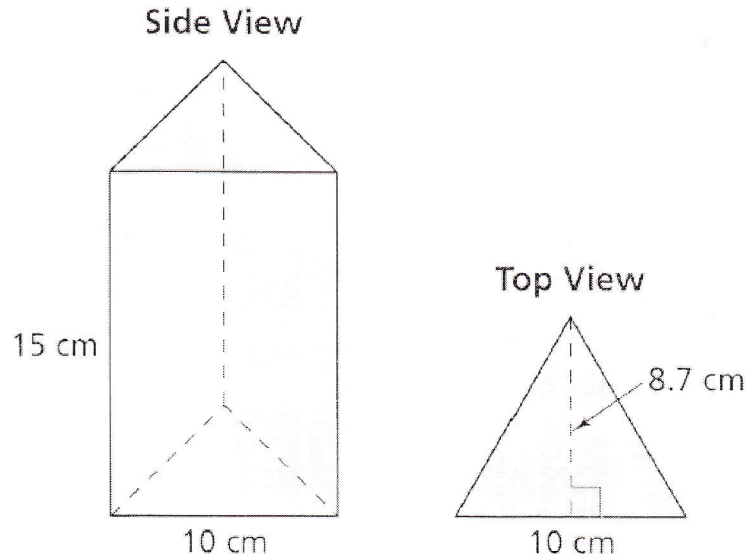
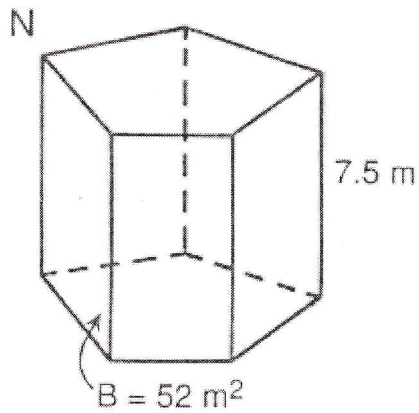


16. Below are side and top views of a triangular prism with bases that are equilateral triangles.

- a. What is the volume of this prism? How did you find the volume?
- b. What is the surface area? How did you find the surface area?



17. Calculate volume of box N.



18. Calculate surface area of pyramid 5.

